

NEBULA

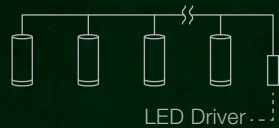
OUTDOOR TREE SPIKE SERIES

Landscape luminaires for illuminating trees and plants that operate on constant voltage platform, allowing multiple luminaires to be powered by a single LED driver remotely. Incorporating ELR's signature modular concept design, LED engines are fully interchangeable with various choices for optimal illumination and ease of maintenance.

External Driver



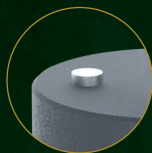
Constant Voltage
Multiple LED module driven by a single LED driver



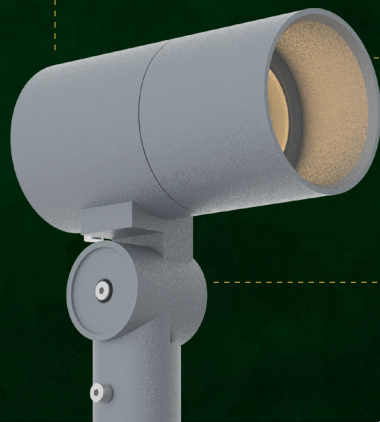
Constant Current
Single LED module driven by a single LED driver



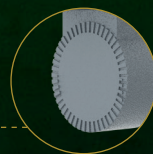
Breather Valve



Reduced Glare



Moulded Teething Lock



Future proof with upgradeable module



Accessory options

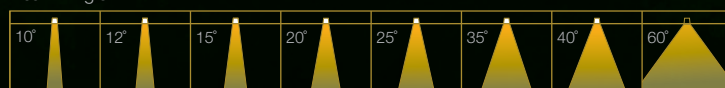
Fixture Features



Module Colour Temperature Variation



Beam Angle



Driver Dimming Variation



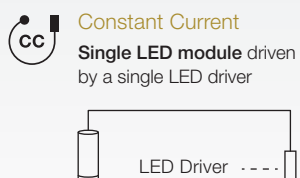
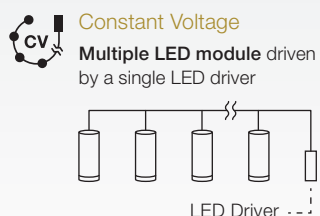
NEBULA 3 TREE SPIKE

IP 66 IK08

DC CONSTANT VOLTAGE / CONSTANT CURRENT
TREE SPIKE LUMINAIRE



EXTERNAL DRIVER



TECHNOLOGY AND FEATURES

ATePS
Advanced Thermal Protection System

ComfyEYE
Low Flicker, No Risk (IEEE 1789)

BEAM
Converging Optical Lens Maximising LOR

AVAILABLE OPTIONS

FIXTURE COLOUR OPTIONS	MATT GREY RAL7001 MATT BLACK RAL9011																																
SPIKE / STRAP OPTIONS	UPVC SPIKE	ALUMINIUM SPIKE	TREE STRAP																														
SNOOT OPTIONS	FULL SNOOT	45 DEGREE SNOOT																															
ACCESSORIES	 Honeycomb Anti-Glare Louvre Soft Lens Linear Spread Lens																																
LED MODULE CONSTANT VOLTAGE	 50PLE / 50CLE / 50CLO 2700K 3000K 3500K 4000K 5000K ProART ProART98																																
CONSTANT CURRENT	 50PLE / 50CLE / 50CLO																																
**tuneWHITE and flexiK are recommended to be paired with Soft Lens for better colour mixing effect.	<table border="1"> <tr> <td data-bbox="360 1440 810 1541"> SINGLE CCT 2700K 3000K 3500K 4000K 5000K ProART ProART98 </td> <td data-bbox="815 1469 938 1507"> 50PLE / 50CLE / 50CLO </td> <td data-bbox="999 1469 1098 1507"> <input checked="" type="checkbox"/> </td> <td data-bbox="1102 1469 1201 1507"> <input checked="" type="checkbox"/> </td> <td data-bbox="1206 1469 1305 1507"> <input checked="" type="checkbox"/> </td> <td data-bbox="1310 1469 1409 1507"> <input checked="" type="checkbox"/> </td> </tr> <tr> <td data-bbox="360 1574 810 1630"> WARM DIM </td> <td data-bbox="815 1574 938 1630"> 50PLE </td> <td data-bbox="999 1574 1098 1630"> <input checked="" type="checkbox"/> </td> <td data-bbox="1102 1574 1201 1630"> <input checked="" type="checkbox"/> </td> <td data-bbox="1206 1574 1305 1630"> <input checked="" type="checkbox"/> </td> <td data-bbox="1310 1574 1409 1630"> <input checked="" type="checkbox"/> </td> </tr> <tr> <td data-bbox="360 1686 810 1742"> tuneWHITE </td> <td data-bbox="815 1731 938 1769"> 50PLE </td> <td data-bbox="999 1731 1098 1769"> <input checked="" type="checkbox"/> </td> <td data-bbox="1102 1731 1201 1769"> <input checked="" type="checkbox"/> </td> <td data-bbox="1206 1731 1305 1769"> <input checked="" type="checkbox"/> </td> <td data-bbox="1310 1731 1409 1769"> <input checked="" type="checkbox"/> </td> </tr> <tr> <td data-bbox="360 1776 810 1832"> flexiK </td> <td data-bbox="815 1888 938 1926"> 50PLE </td> <td data-bbox="999 1888 1098 1926"> <input checked="" type="checkbox"/> </td> <td data-bbox="1102 1888 1201 1926"> <input checked="" type="checkbox"/> </td> <td data-bbox="1206 1888 1305 1926"> <input checked="" type="checkbox"/> </td> <td data-bbox="1310 1888 1409 1926"> <input checked="" type="checkbox"/> </td> </tr> <tr> <td data-bbox="360 1888 810 1944"> *Drivers for RGBW LED modules are sold separately. </td> <td data-bbox="815 1888 938 1926"> 50PLE </td> <td data-bbox="999 1888 1098 1926"> <input checked="" type="checkbox"/> </td> <td data-bbox="1102 1888 1201 1926"> <input checked="" type="checkbox"/> </td> <td data-bbox="1206 1888 1305 1926"> <input checked="" type="checkbox"/> </td> <td data-bbox="1310 1888 1409 1926"> <input checked="" type="checkbox"/> </td> </tr> </table>			SINGLE CCT 2700K 3000K 3500K 4000K 5000K ProART ProART98	50PLE / 50CLE / 50CLO	<input checked="" type="checkbox"/>	<input checked="" type="checkbox"/>	<input checked="" type="checkbox"/>	<input checked="" type="checkbox"/>	WARM DIM 	50PLE	<input checked="" type="checkbox"/>	<input checked="" type="checkbox"/>	<input checked="" type="checkbox"/>	<input checked="" type="checkbox"/>	tuneWHITE 	50PLE	<input checked="" type="checkbox"/>	<input checked="" type="checkbox"/>	<input checked="" type="checkbox"/>	<input checked="" type="checkbox"/>	flexiK 	50PLE	<input checked="" type="checkbox"/>	<input checked="" type="checkbox"/>	<input checked="" type="checkbox"/>	<input checked="" type="checkbox"/>	*Drivers for RGBW LED modules are sold separately. 	50PLE	<input checked="" type="checkbox"/>	<input checked="" type="checkbox"/>	<input checked="" type="checkbox"/>	<input checked="" type="checkbox"/>
SINGLE CCT 2700K 3000K 3500K 4000K 5000K ProART ProART98	50PLE / 50CLE / 50CLO	<input checked="" type="checkbox"/>	<input checked="" type="checkbox"/>	<input checked="" type="checkbox"/>	<input checked="" type="checkbox"/>																												
WARM DIM 	50PLE	<input checked="" type="checkbox"/>	<input checked="" type="checkbox"/>	<input checked="" type="checkbox"/>	<input checked="" type="checkbox"/>																												
tuneWHITE 	50PLE	<input checked="" type="checkbox"/>	<input checked="" type="checkbox"/>	<input checked="" type="checkbox"/>	<input checked="" type="checkbox"/>																												
flexiK 	50PLE	<input checked="" type="checkbox"/>	<input checked="" type="checkbox"/>	<input checked="" type="checkbox"/>	<input checked="" type="checkbox"/>																												
*Drivers for RGBW LED modules are sold separately. 	50PLE	<input checked="" type="checkbox"/>	<input checked="" type="checkbox"/>	<input checked="" type="checkbox"/>	<input checked="" type="checkbox"/>																												
DRIVER DIMMING	 (ND) (PH) (AN) (DA)																																
*Drivers for 24CV LED modules are sold separately.																																	



Class 3



Constant Voltage

NEBULA 3 TREE SPIKE

IP 66 IK08

SPECIFICATIONS

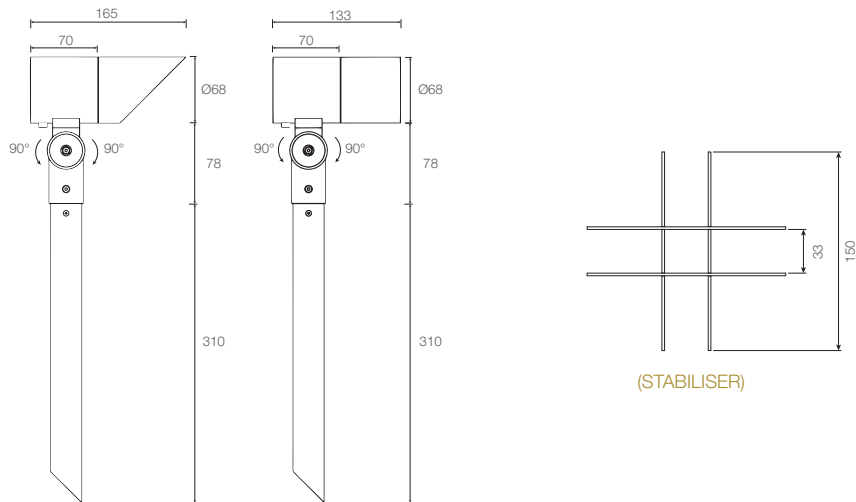
FIXTURE

Family Type	Nebula series
Fixture Colours	Matt grey, matt black
Fixture Materials	Aluminium
Accessories	Honeycomb anti-glare louvre, soft lens, linear spread lens
Ingress Protection	IP66
Safety Class	Class 3
Power Supply Cable	Supplied with 1m cable

LED MODULE & DRIVER

Compatible LED Modules	50 series 24CV LED engines
Lifetime	Up to 50,000 hours L80 lamp life with LM80 tested LED chip packages
Beam Angles	10°, 20°, 35°, 60°
Colour Temperatures	2700K, 3000K, 3500K, 4000K, 5000K
CRI	High Efficiency (CRI~85), ProART (CRI~95), ProART98 (CRI~98)
Driver (Dimming)	24V DC constant voltage non-dim, phase-dim, 0-10V, DALI

DIMENSIONS (MM)

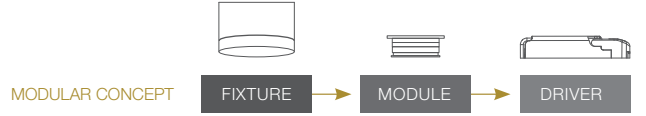


(45 DEGREE
SNOOT)

(FULL SNOOT)

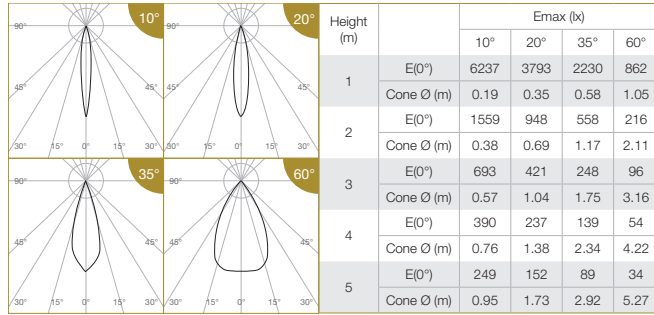
(STABILISER)

NEBULA 3 TREE SPIKE



PHOTOMETRICS

50 PLE 24CV



Correction Factor:
 50PLE-24CV (10°) - f = 1.00
 50CLE-24CV (10°) - f = 0.82
 50CLO-24CV (10°) - f = 0.65
 50PLE-24CV (20°, 35°, 60°) - f = 1.00
 50CLE-24CV (20°, 35°, 60°) - f = 0.82
 50CLO-24CV (20°, 35°, 60°) - f = 0.70

ELR LED Module				50PLE	50CLE	50CLO
Input Power (24CV)				12W	10W	8W
Luminous Flux (lm)	Type	Beam Angle	CRI	24CV Single CCT (3000K)		
				10°	High Efficiency Ra-85	718
20°	ProART Ra-95	611	503	397		
					ProART98 Ra-98	502
	High Efficiency Ra-85	914	748	644		
					ProART Ra-95	777
	ProART98 Ra-98	639	524	451		
					High Efficiency Ra-85	924
35°	ProART Ra-95	786	643	554		
					ProART98 Ra-98	647
60°	High Efficiency Ra-85	861	705	607		
					ProART Ra-95	732
ProART98 Ra-98	603	494	425			

Data are based on 3000K (ProART CRI-95). Nominal data of 2700K and 3500K are shared with 3000K. Higher CCT of 4000K and 5000K will have a nominal data value of 5% higher than published. (f = 1.05) High Efficiency CRI-95 will have a nominal data value of 15% higher than published. (f = 1.17) ProART98 CRI-98 will have a nominal data value of 18% lower than published. (f = 0.82)

Nominal CRI-85, equals to Ra-80-87, R9-0
 Nominal CRI-95, equals to Ra-90-97, R9-50
 Nominal CRI-98, equals to Ra-97-99, R9-93

ORDERING MATRIX CHART

Fixture						Single CCT LED Module												
Type	Ingress Protection		Colour		Snoot		Spike / Strap		Accessories		Input Power	Beam Angle		Colour Temp		CRI		
NEBULA-3TS	IP66	IP66	GR	Matt Grey	FS	Full Snoot	USP	uPVC Spike	N	None	ELR50PLE-24CV	12W	10	10°	27	2700K	HE	Ra-85
			SL	Soft Lens	ELR50CLO-24CV	8W	35	35°	35	3500K	PP	ProART98						
LSL	Linear Spread Lens	60											60°	40	4000K	50	5000K	

example: NEBULA-3TS.IP66.GR.45S.USP.N.ELR50PLE-24CV.20.30.PA

*Custom RAL colour options available.

*Drivers for 24CV LED modules are sold separately, please refer to recommended driver list.



Class 3



Constant Current

NEBULA 3 TREE SPIKE

IP 66 IK08

SPECIFICATIONS

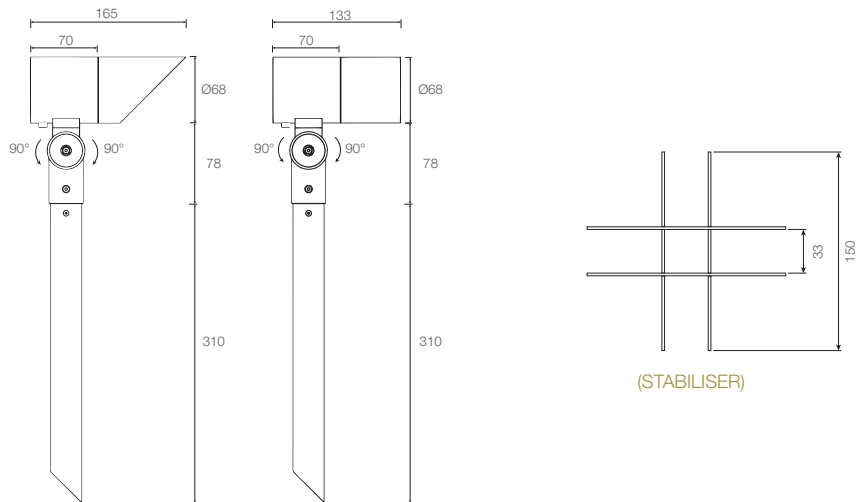
FIXTURE

Family Type	Nebula series
Fixture Colours	Matt grey, matt black
Fixture Materials	Aluminium
Accessories	Honeycomb anti-glare louvre, soft lens, linear spread lens
Ingress Protection	IP66
Safety Class	Class 3
Power Supply Cable	Supplied with 1m cable

LED MODULE & DRIVER

Compatible LED Modules	50 series LED engines
Lifetime	Up to 50,000 hours L80 lamp life with LM80 tested LED chip packages
Beam Angles	10°, 20°, 35°, 60°
Colour Temperatures	2700K, 3000K, 3500K, 4000K, 5000K, Warm Dim, tuneWHITE, flexiK, RGBW
CRI	High Efficiency (CRI~85), ProART (CRI~95), ProART98 (CRI~98)
Driver (Dimming)	Non-dim, phase (leading & trailing edge), 0-10V, DALI

DIMENSIONS (MM)



(45 DEGREE SNOOT)

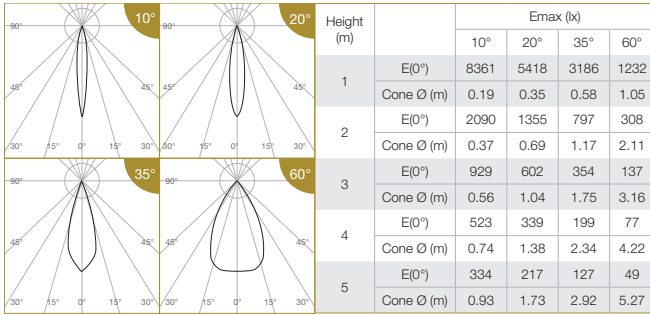
(FULL SNOOT)

(STABILISER)

NEBULA 3 TREE SPIKE **IP 66 IK08**

PHOTOMETRICS

50 PLE



Correction Factor:
 50PLE (10°) - f = 1.00
 50CLE (10°) - f = 0.78
 50CLO (10°) - f = 0.62
 50PLE (20°, 35°, 60°) - f = 1.00
 50CLE (20°, 35°, 60°) - f = 0.80
 50CLO (20°, 35°, 60°) - f = 0.71

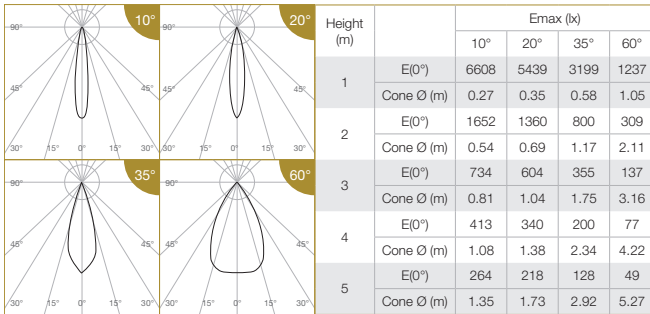
Height (m)		Emax (lx)			
		10°	20°	35°	60°
1	E(0°)	8361	5418	3186	1232
	Cone Ø (m)	0.19	0.35	0.58	1.05
2	E(0°)	2090	1355	797	308
	Cone Ø (m)	0.37	0.69	1.17	2.11
3	E(0°)	929	602	354	137
	Cone Ø (m)	0.56	1.04	1.75	3.16
4	E(0°)	523	339	199	77
	Cone Ø (m)	0.74	1.38	2.34	4.22
5	E(0°)	334	217	127	49
	Cone Ø (m)	0.93	1.73	2.92	5.27

ELR LED Module				50PLE	50CLE	50CLO	
LED Power				12W	10W	8W	
System Power				15.2W	12.8W	11W	
Luminous Flux (lm)	Single CCT (3000K)	Type	Beam Angle	CRI			
				High Efficiency Ra-85	ProART Ra-95	ProART98 Ra-98	
		10°	High Efficiency Ra-85	962	755	599	
				ProART Ra-95	818	642	510
				ProART98 Ra-98	673	528	420
			20°	High Efficiency Ra-85	1305	1044	931
				ProART Ra-95	1109	887	792
				ProART98 Ra-98	914	731	652
		35°	High Efficiency Ra-85	1320	1056	942	
			ProART Ra-95	1122	898	801	
			ProART98 Ra-98	924	739	659	
			60°	High Efficiency Ra-85	1230	984	877
ProART Ra-95	1046			836	746		
ProART98 Ra-98	861			689	614		

Data are based on 3000K (ProART CRI-95). Nominal data of 2700K and 3500K are shared with 3000K.
 Higher CCT of 4000K and 5000K will have a nominal data value of 5% higher than published. (f = 1.05)
 High Efficiency CRI-85 will have a nominal data value of 15% higher than published. (f = 1.17)
 ProART98 CRI-98 will have a nominal data value of 18% lower than published. (f = 0.82)

Nominal CRI-85, equals to Ra>80-87, R9>0
 Nominal CRI-95, equals to Ra>90-97, R9>50
 Nominal CRI-98, equals to Ra>97-99, R9>93

50 PLE WARM DIM



Height (m)		Emax (lx)			
		10°	20°	35°	60°
1	E(0°)	6608	5439	3199	1237
	Cone Ø (m)	0.27	0.35	0.58	1.05
2	E(0°)	1652	1360	800	309
	Cone Ø (m)	0.54	0.69	1.17	2.11
3	E(0°)	734	604	355	137
	Cone Ø (m)	0.81	1.04	1.75	3.16
4	E(0°)	413	340	200	77
	Cone Ø (m)	1.08	1.38	2.34	4.22
5	E(0°)	264	218	128	49
	Cone Ø (m)	1.35	1.73	2.92	5.27

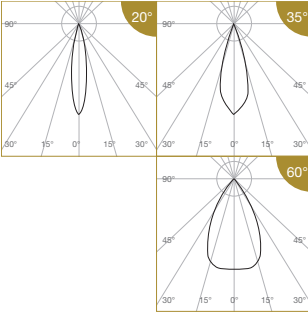
ELR LED Module				50PLE
LED Power				12W
System Power				15.2W
Luminous Flux (lm)	Warm Dim (3100K)	Type	Beam Angle	CRI
		10°	934	
			20°	1114
				35°
			60°	

Data are based on maximum output at 3100K
 Nominal CRI-95, equals to Ra>90-97, R9>50

NEBULA 3 TREE SPIKE **IP 66 IK08**

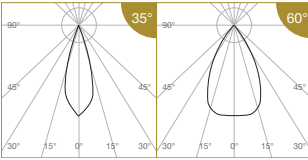
PHOTOMETRICS

50 PLE tuneWHITE/flexiK



Height (m)		Emax (lx)			ELR LED Module			50PLE		
		20°	35°	60°						
1	E(0°)	4249	2499	966	LED Power			12W		
	Cone Ø (m)	0.35	0.58	1.05	System Power			15.2W		
2	E(0°)	1062	625	242	Luminous Flux (lm)	Type	Beam Angle	CRI	50PLE	
	Cone Ø (m)	0.69	1.17	2.11		tuneWHITE / flexiK (4000K / 6500K)	20°			ProART Ra-95
3	E(0°)	472	278	107		35°	880			
	Cone Ø (m)	1.04	1.75	3.16	60°	820				
4	E(0°)	266	156	60	<small>Data are based on maximum output at highest CCT (4000K / 6500K). 2700K will have a nominal data value of 10% lower than published. (f = 0.90) 1800K will have a nominal data value of 30% lower than published. (f = 0.70) Nominal CRI-95, equals to Ra>90-97, R9>50</small>					
	Cone Ø (m)	1.38	2.34	4.22						
5	E(0°)	170	100	39						
	Cone Ø (m)	1.73	2.92	5.27						

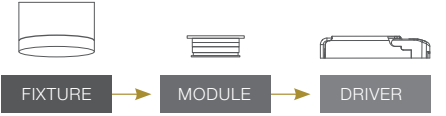
50 PLE RGBW



Height (m)		Emax (lx)		ELR LED Module			50PLE		
		35°	60°						
1	E(0°)	1512	585	LED Power			12W		
	Cone Ø (m)	0.58	1.05	System Power			15.2W		
2	E(0°)	378	146	Luminous Flux (lm)	Type	Beam Angle	CRI	50PLE	
	Cone Ø (m)	1.17	2.11		RGBW	35°			N/A
3	E(0°)	168	65		60°	496			
	Cone Ø (m)	1.75	3.16	<small>Data are based on maximum output of all 4 RGBW channels.</small>					
4	E(0°)	94	37						
	Cone Ø (m)	2.34	4.22						
5	E(0°)	60	23						
	Cone Ø (m)	2.92	5.27						

NEBULA 3 TREE SPIKE 66 IK08

MODULAR CONCEPT



ORDERING MATRIX CHART

Type	Ingress Protection		Colour		Snoot		Spike / Strap		Accessories				
	IP66	IP66	GR	MB	FS	45S	USP	ASP	STR	N	AGL	SL	LSL
NEBULA-3TS			Matt Grey	Matt Black	Full Snoot	45 Degree Snoot	uPVC Spike	Aluminium Spike	Tree Strap	None	Anti-Glare Louvre	Soft Lens	Linear Spread Lens

Single CCT LED Module						Driver			
Input Power		Beam Angle		Colour Temp		CRI		Dimming	
ELR50PLE	12W	10	10°	27	2700K	HE	Ra-85	ND	Non-Dim
ELR50CLE	10W	20	20°	30	3000K	PA	ProART	PH	Phase
ELR50CLO	8W	35	35°	35	3500K	PP	ProART98	AN	0-10V
		60	60°	40	4000K			DA	DALI
				50	5000K				

Warm Dim LED Module						Driver			
LED Power		Beam Angle		Colour Temp		CRI		Dimming	
ELR50PLE	12W	10	10°	WD	Warm Dim	PA	ProART	PH	Phase
		20	20°					AN	0-10V
		35	35°					DA	DALI
		60	60°						

tuneWHITE LED Module						Driver			
LED Power		Beam Angle		Colour Temp		CRI		Dimming	
ELR50PLE	12W	20	20°	TW1831	tuneWHITE 1800K-3100K	PA	ProART	DA	DALI
		35	35°	TW1840	tuneWHITE 1800K-4000K				
		60	60°	TW2765	tuneWHITE 2700K-6500K				

flexiK LED Module						Driver			
LED Power		Beam Angle		Colour Temp		CRI		Dimming	
ELR50PLE	12W	20	20°	FK##	flexiK	PA	ProART	PH	Phase
		35	35°					AN	0-10V
		60	60°					DA	DALI

denotes the first two digits of preferred CCT ranging from 1800K to 6500K by increment of 100K.

RGBW LED Module					
LED Power		Beam Angle		Colour Temp	
ELR50PLE	12W	35	35°	RGBW	Red, Green, Blue, White
		60	60°		

*Drivers for RGBW LED modules are sold separately.

example: NEBULA-3TS.IP66.GR.45S.USP.N.ELR50PLE.20.30.PA.DA

*Custom RAL colour options available.